



# ISOTRA TECHNOLOGY



**ISOTRA** *Quality*





# ROLLING MILL

for shaping and cutting C, S, Z slats (TPL v6)

The TPL rolling mills are designed for cutting C, S, Z and T slats. Basic material processed is an aluminium strap. The material is shaped when passing through the machine, then the holes are cut into it. A cutting tool which is developed for certain machines can make all types of holes. Finally, the strap is cut to the desired length and put into a storage magazine. The drive consists of one servo-motor. Unwinding the strap, unwinding the rubber (S65, S90, Z70, Z90, T90) and shifting the racks is done by asynchronous motors.

The rolling mills are served by a vibration bin with segments. This bin automatically supplies segments (hooks) that are fixed in the slats. Lines can be equipped with additional tools such as label manipulators or inkjet printers used for marking components, also various tools such as a tool for vibration sorting. However, such additional devices must be developed individually with regard to the specific component. Cutting is done by pneumatic cylinders.

## Characteristics

- Rapid production and precision,
- shaping the semi-finished product (aluminium slat) to the required shape,
- cutting the semi-finished product (aluminium slat) to the required length,
- punching all the holes required,
- for non-standard blind shapes (atypical products),
- quick and easy change of blind dimensions even during the machine operation,
- the technical support services Team Viewer for 1 year is included in the price if the machine is connected to the internet,
- automatic or manual adjustment of magazine racks,
- easy to change the speed of rolling,
- possibility of marking components using labels or inkjet,
- possibility to connect to external SQL table (linking machines with information system),
- camera system.

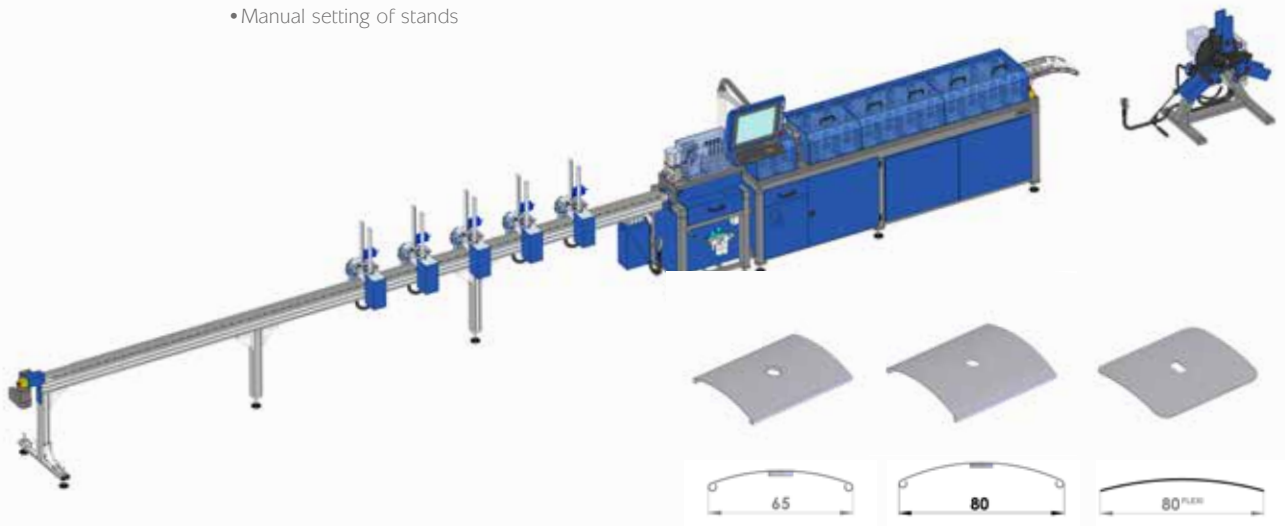
# ROLLING MILL

for shaping and cutting slats C, C80 FLEXI

## Solution

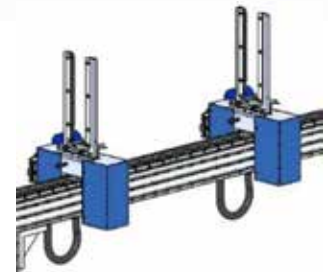
### Semi-automatic C65, C80, C80 Flexi

- Manual setting of stands



### Automatic C65; C80; C80 Flexi

- Automatic setting of stands



### Automatic with threading of ladders C80

- Automatic setting of stands
- Automatic threading into the ladders
- Automatic burning-out the ends of the ladder
- Camera system



## Technical parameters

Max. width	1000 mm	Working pressure	5-8 bar
Max. height	1850 mm	Air consumption	5 m <sup>3</sup> /h
Total length	12000 mm with dispenser	Power supply voltage	3+N+PE 400/230V 50Hz TN-S
Max. total weight	2500 kg	Input power	2,5 - 4,0 kW
Rolling speed	Max. 1 m/s	Acoustic pressure	80 dB
Input pressure	10 bar		

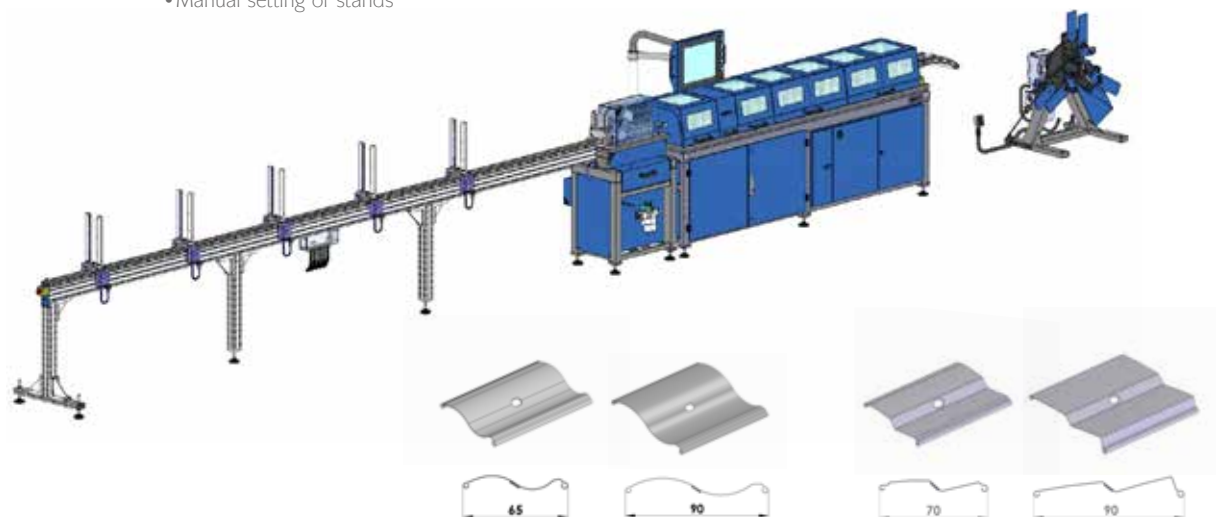
Note: Max. parameters depend on the choice of main units and additional equipment.

# ROLLING MILL

for shaping and cutting slats S, Z

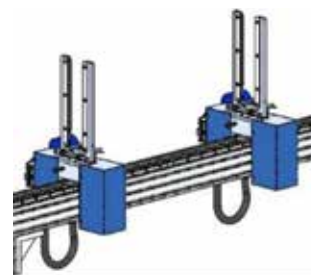
## Solution Semi-automatic S65; S90; Z70; Z90

- Manual setting of stands



## Automatic S65; S90; Z70; Z90

- Automatic setting of stands



## Technical parameters

Max. width	1000 mm	Working pressure	5-8 bar
Max. height	1850 mm	Air consumption	5 m <sup>3</sup> /h
Total length	12000 mm with dispenser	Power supply voltage	3+N+PE 400/230V 50Hz TN-S
Max. total weight	2500 kg	Input power	2,5 - 4,0 kW
Rolling speed	Max. 1 m/s	Acoustic pressure	80 dB
Vstupní tlak	10 bar		

Note: Max. parameters depend on the choice of main units and additional equipment.

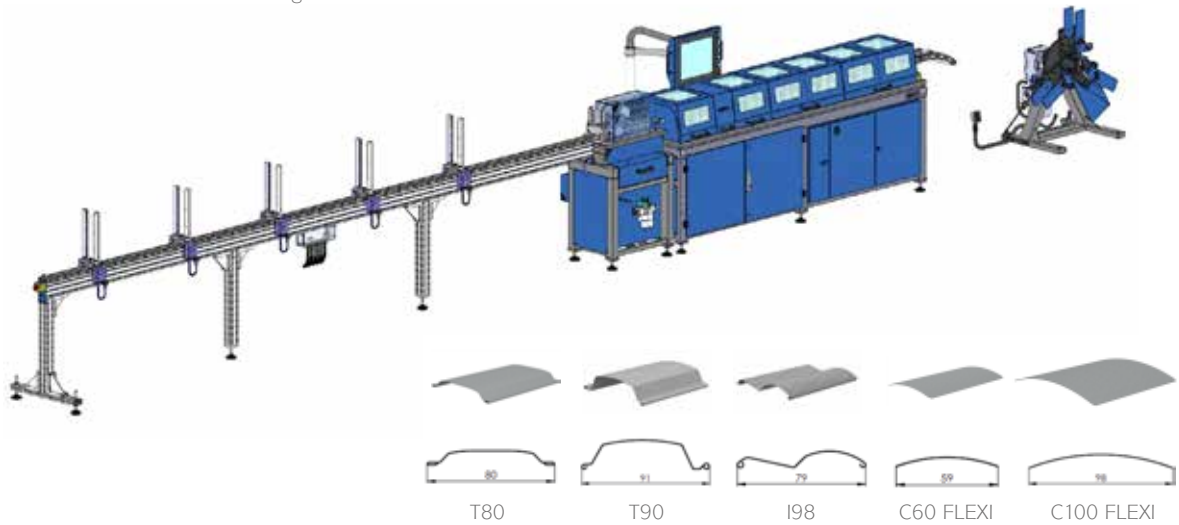


# ROLLING MILL

for shaping and cutting slats

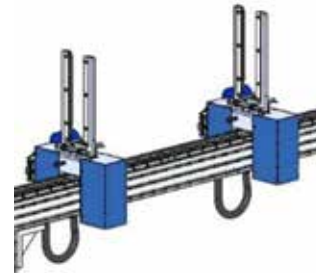
## Solution Semi-automatic

- Manual setting of stands



## Automatic

- Automatic setting of stands



## Technical parameters

Max. width	1000 mm	Working pressure	5-8 bar
Max. height	1850 mm	Air consumption	5 m <sup>3</sup> /h
Total length	12000 mm with dispenser	Power supply voltage	3+N+PE 400/230V 50Hz TN-S
Max. total weight	2500 kg	Input power	2,5 - 4,0 kW
Rolling speed	Max. 1 m/s	Acoustic pressure	80 dB
Input pressure	10 bar		

Note: Max. parameters depend on the choice of main units and additional equipment.

# CUTTING MACHINE

for hand cutting slats C80 (MANUAL)

## Solution



This universal pneumatic cutter is intended for making holes or cutting Al profiles. Basic material processed is an aluminium slat. Cutting is done through a mechanism controlled by a pneumatic cylinder.

## Charakteristic

- Rapid production and accuracy.
- cutting the semi-finished product (aluminium slat) to the desired length.
- punching all the holes.
- for all the standard and non-standard slat shapes (atypical products).
- fast manual setting of dimensions.
- quick and easy change of slat dimensions.

## Technical parameters

Max. width	600 mm	Input pressure	10 bar
Max. height	1300 mm	Working pressure	8 bar
Total length	6500 mm	Air consumption	1 m <sup>3</sup> /h
Max. total weight	150 kg	Acoustic pressure	80 dB

Note: Max. parameters depend on the choice of main units and additional equipment.

# ACCESSORIES

## RACK FOR ASSEMBLING AND SETTING EXTERIOR BLINDS

It serves as a support for assembling and setting exterior blinds.  
Allows their handling - lifting and lowering with the control pedals.

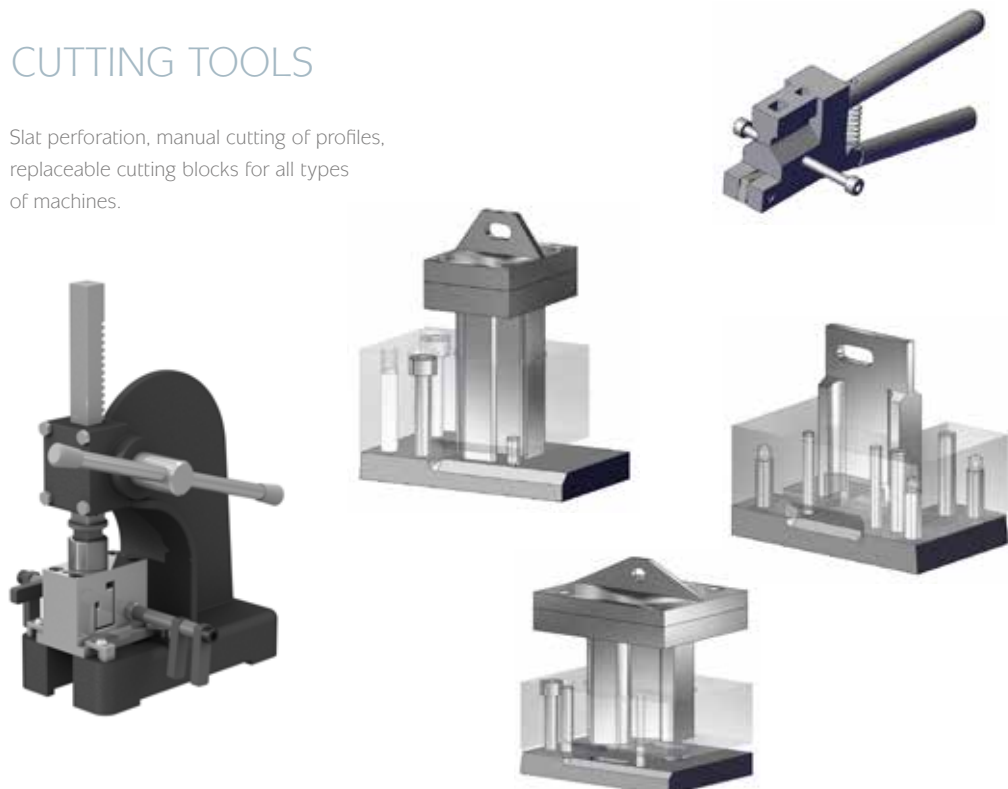


### Technical parameters

Max. width	1000 mm	Max. momentary load	120Nm
Max. height	6000 mm	Power supply voltage	240V
Total arm length	3000 mm	Input power	400 W
Total weight	600 kg	Noise level	up to 60 dB
Max. tonnage	100 kg		

## CUTTING TOOLS

Slat perforation, manual cutting of profiles, replaceable cutting blocks for all types of machines.















**ISOTRA a.s.**

Bílavecká 2411/1, 746 01 Opava  
Czech Republic

Phone: +420 **553 685 111**  
Fax: +420 553 685 110  
E-mail: [isotra@isotra.cz](mailto:isotra@isotra.cz)

[www.isotra.com](http://www.isotra.com)

Issue: 01/2019

**ISOTRA Partner:**

